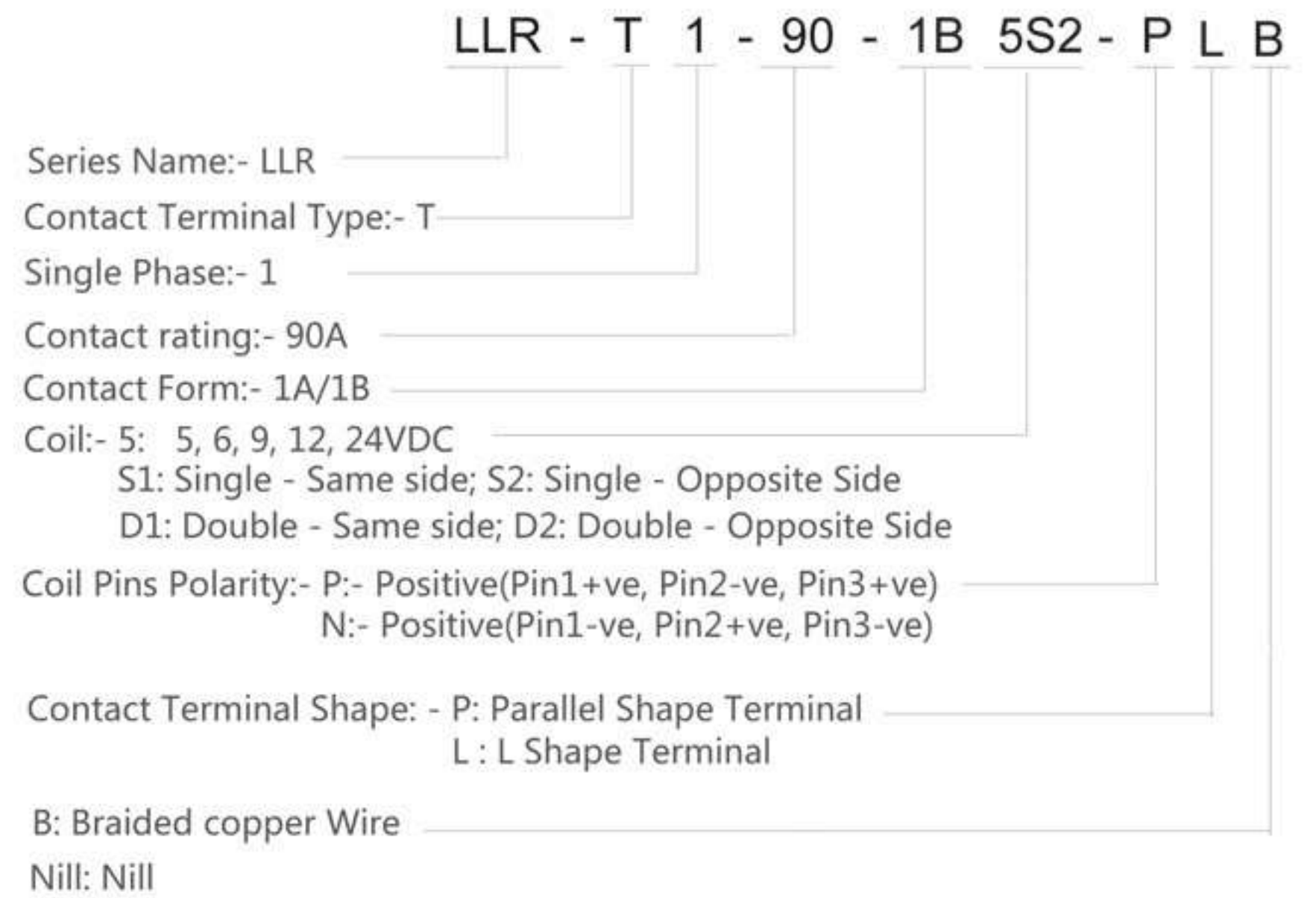
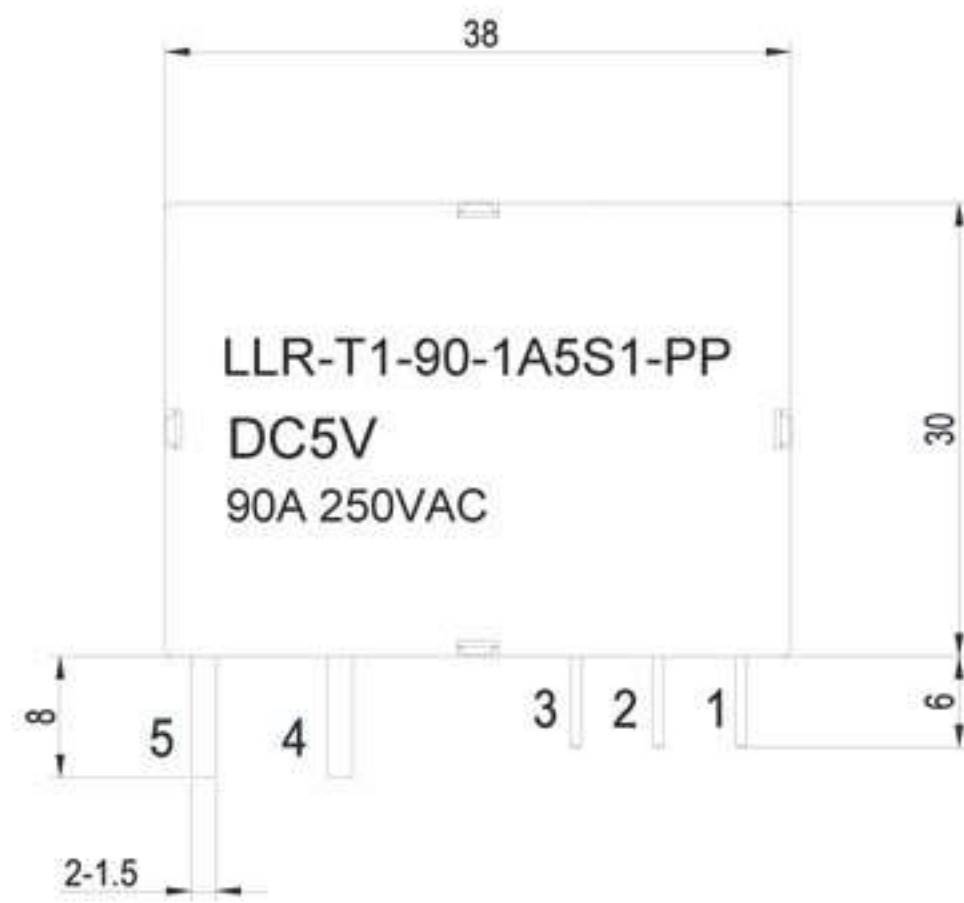

Latching Relay

LLR-T1-90-1A5S1-PP
LLR-T1-90-1B5S2-PLB

90A 250VAC, 1A/1B, Single/Double Coil,
with and w/o Braided copper wire,
AgSnO₂
(Standard and Customized)



1) Characteristic

- 90A switching capability
- Breakdown Voltage (between contact and coil), 5KV
- Environmental friendly product (RoHS compliant)
- Outline Dimension: (38.0 x 30.0 x 16.5) mm
- Compliances: IEC62055-31: 2005 UC2

2) Specification

Insulation resistance		1000M Ω (500VDC)
Dielectric Strength	Between Coil & Contacts	4000VAC 1 min
	Between Open Contacts	2000VAC
Operate Time		≤ 20 msec. Max.
Release Time		≤ 20 msec. Max.
Shock resistance	Functional	98m/s ² (10g)
	Destructive	980m/s ² (100g)
Vibration resistance		10~55Hz 1.5mm
Humidity		5% to 85%
Ambient temperature		-40~+85°C
Termination		PCB
Unit weight		50g
Construction		Sealed

3) Contact Data

Contact form	1A, 1B
Contact material	AgSnO ₂
Contact resistance	≤ 1 m Ω (6VDC 1A)
Contact Rating	90A 250VAC
Max. Switching Power	22500VA
Mechanical life	1x10 ⁵
Electrical life	1x10 ⁴

4) Coil Data

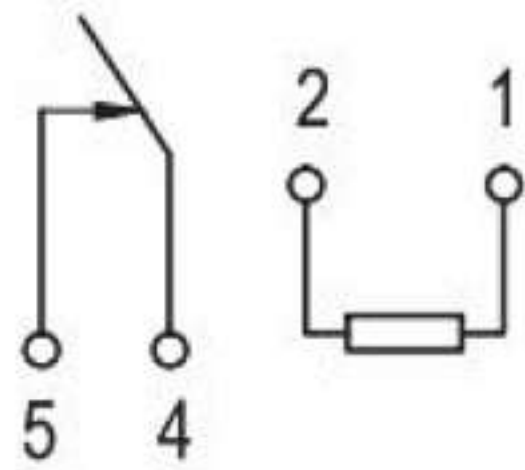
Coil power		Single Coil: 1.5W Double Coil: 3 W	
(VDC) Rated Voltage	(VDC) Pick-up voltage	(ms) Pulse Duration	(Ω) Coil Resistance
Single coil			
5V	≤ 3.75	100 ms	16 Ω
6V	≤ 4.50	100 ms	24 Ω
9V	≤ 6.75	100 ms	54 Ω
12V	≤ 9.00	100 ms	96 Ω
24V	≤ 18.00	100 ms	384 Ω
Double coil			
5V	≤ 3.75	100 ms	8.3/8.3 Ω
6V	≤ 4.50	100 ms	12/12 Ω
9V	≤ 6.75	100 ms	27/27 Ω
12V	≤ 9.00	100 ms	48/48 Ω
24V	≤ 18.00	100 ms	192/192 Ω

5) Typical Application

- Smart meter, Compound switch

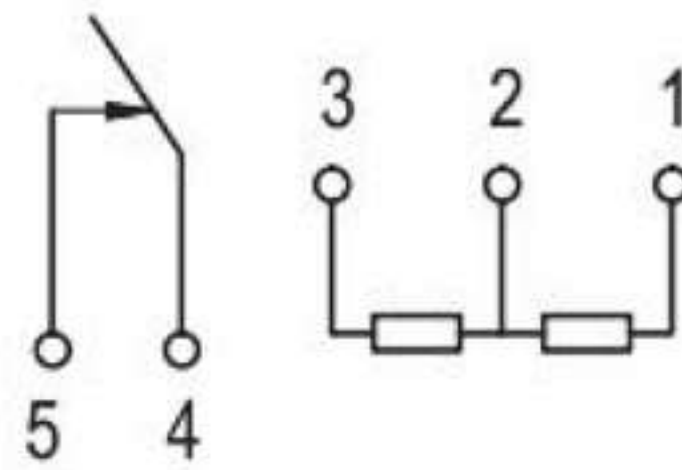
Wiring Diagram:

Single coil latching



1(+)
2(-) 4-5 Reset
2(+)
1(-) 4-5 Set

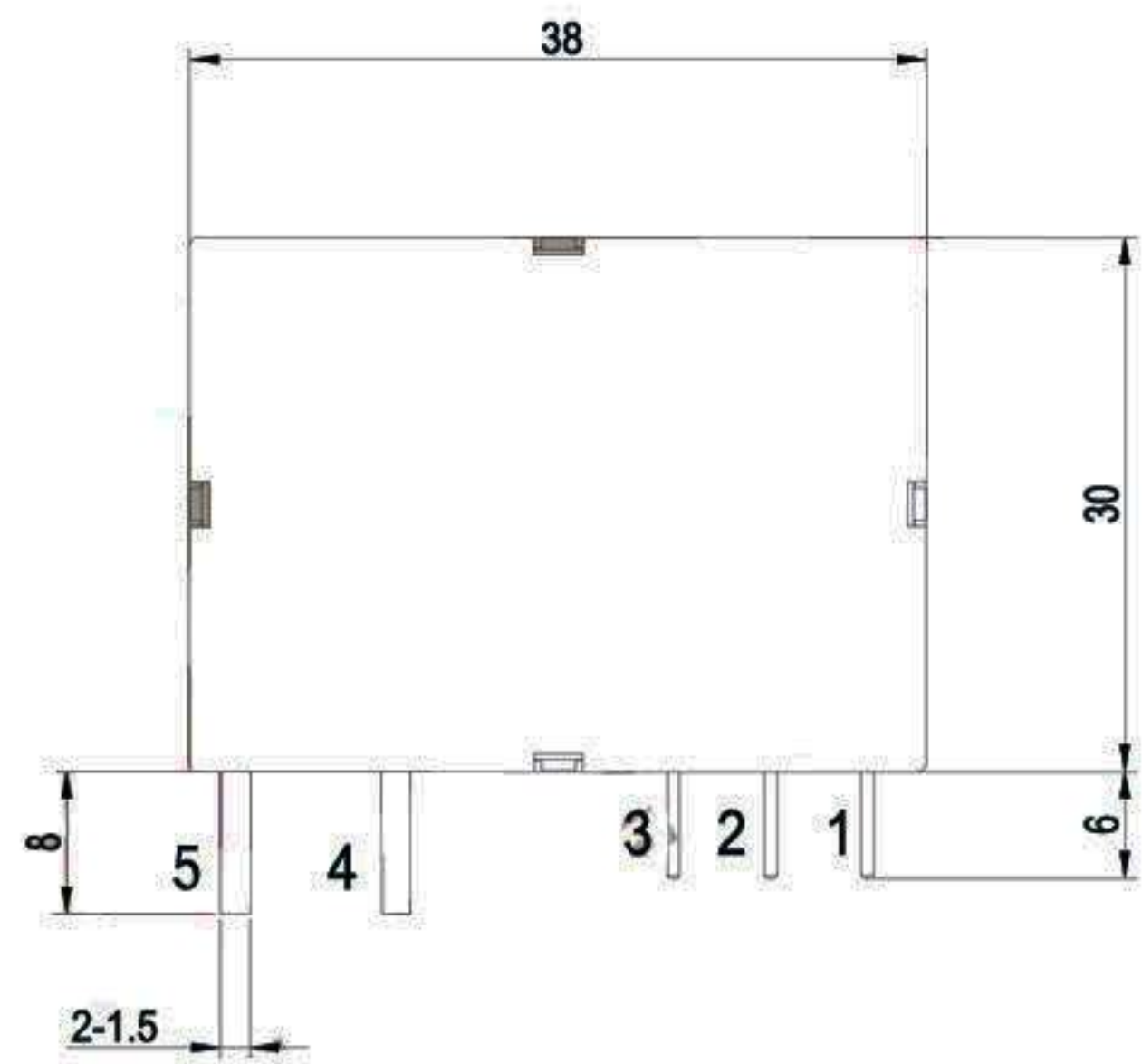
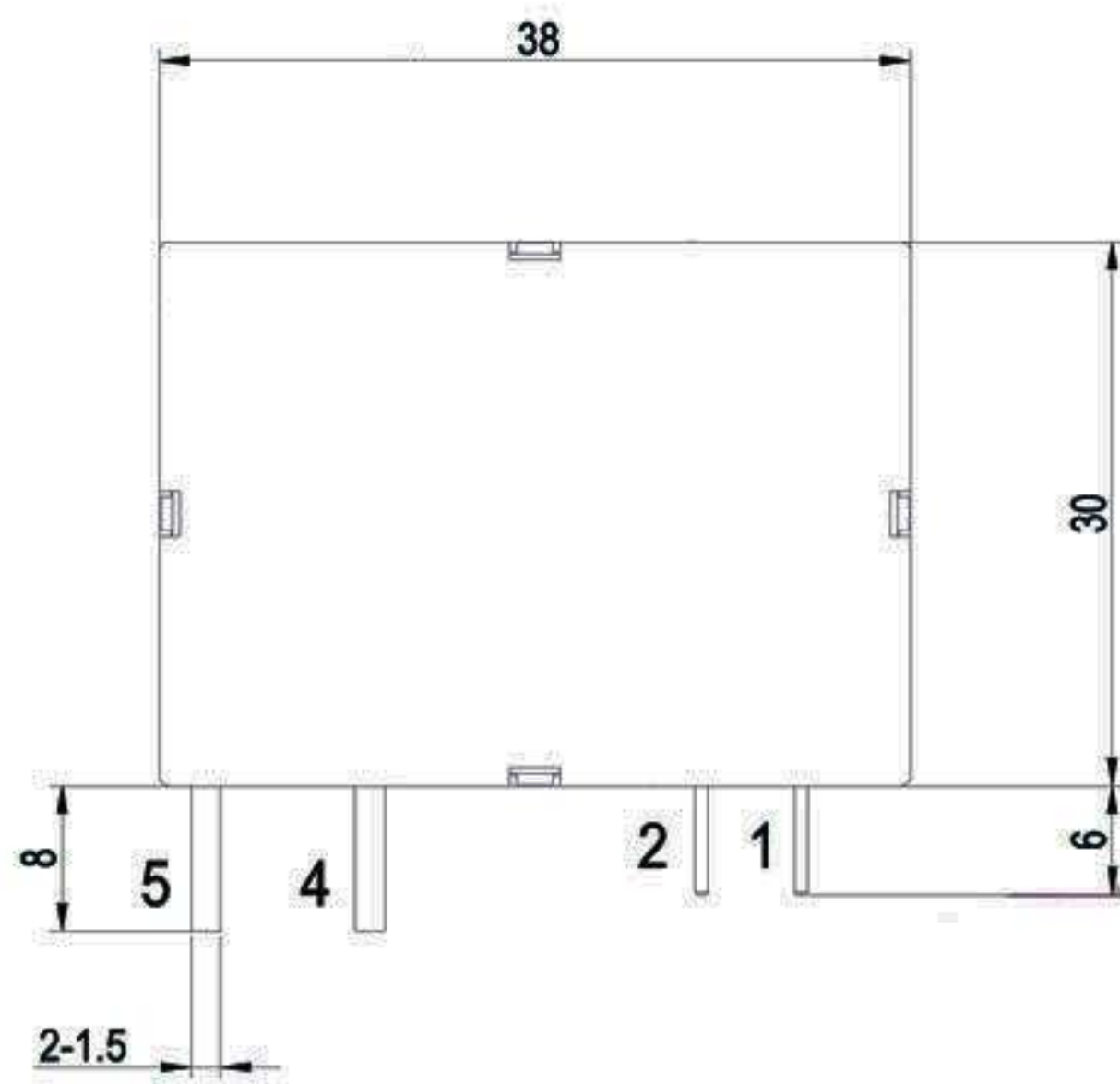
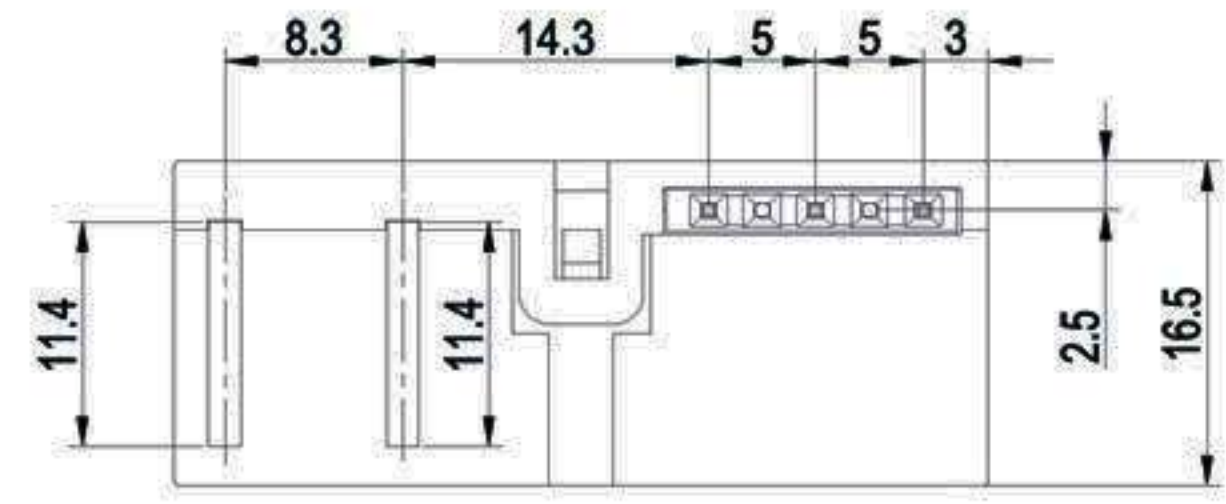
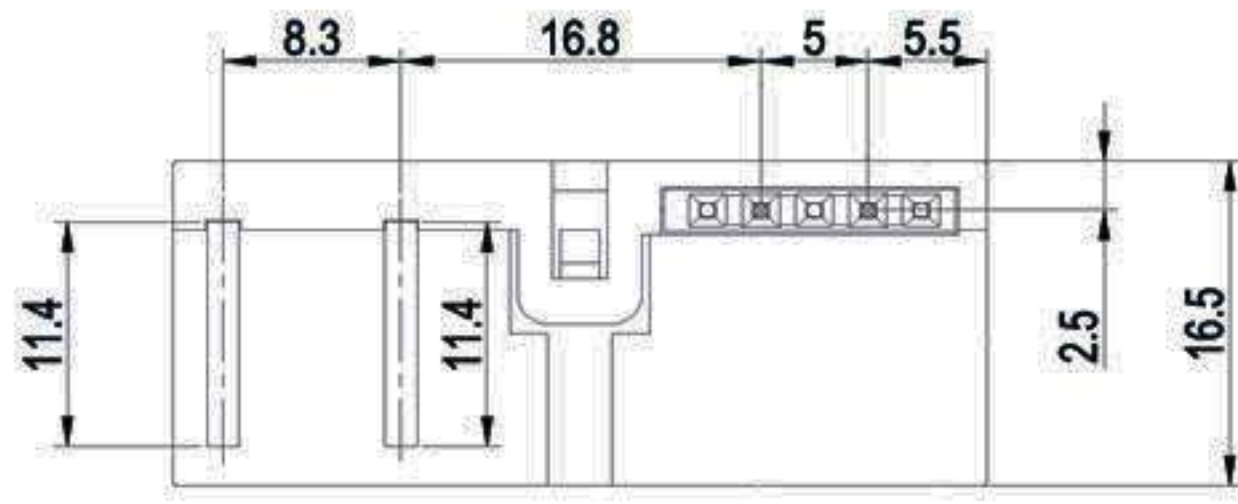
Double coils latching



1(+)
2(-) 4-5 Reset
3(+)
2(-) 4-5 Set

6) Dimensions(mm)/ Circuit Diagram

i) S1 & D1 Type - Same Side contact and coil:



ii) S2 & D2 Type - Opposite Side contact and coil:

